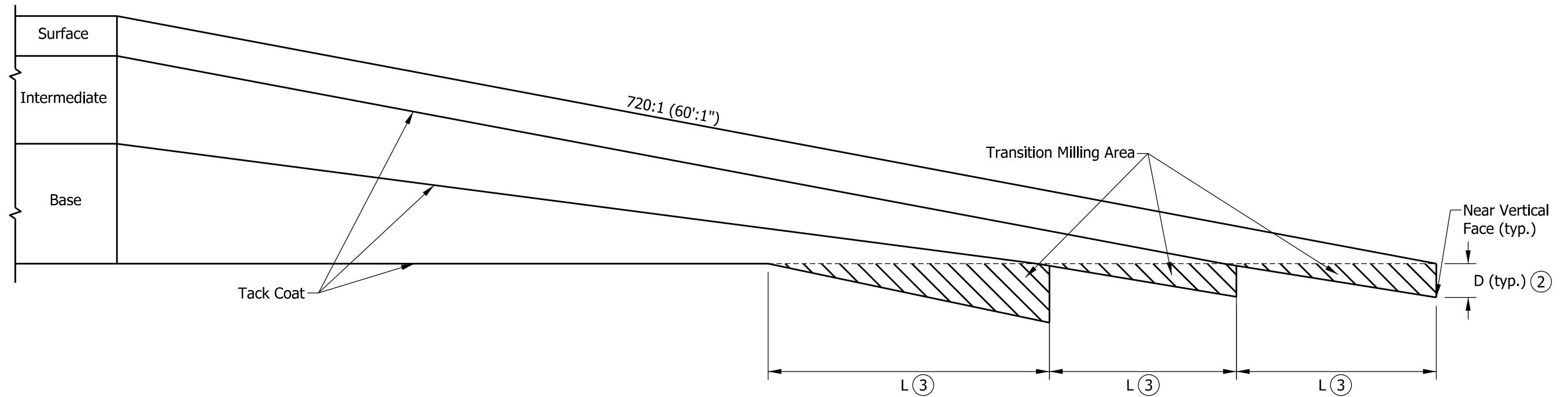


NOTES:

1. Transition milling areas inaccessible to the milling machine shall be removed by other methods to achieve a near vertical face.
- ② D(in.)=1 1/2 in. or 2 times the maximum particle size of specified HMA course, whichever is greater
- ③ L(ft.)=D x 60

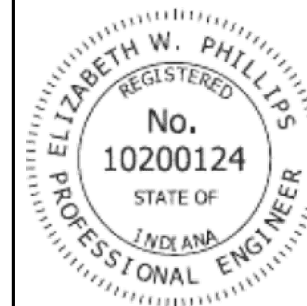



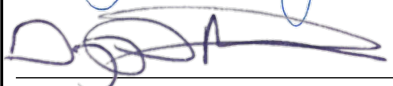
INDIANA DEPARTMENT OF TRANSPORTATION

HMA PAVEMENT WEDGING
AND TRANSITION MILLING

SEPTEMBER 2020

STANDARD DRAWING NO. E 306-TMPT-01



	12/11/2019
DESIGN STANDARDS ENGINEER	DATE
	1/17/2020
CHIEF ENGINEER	DATE